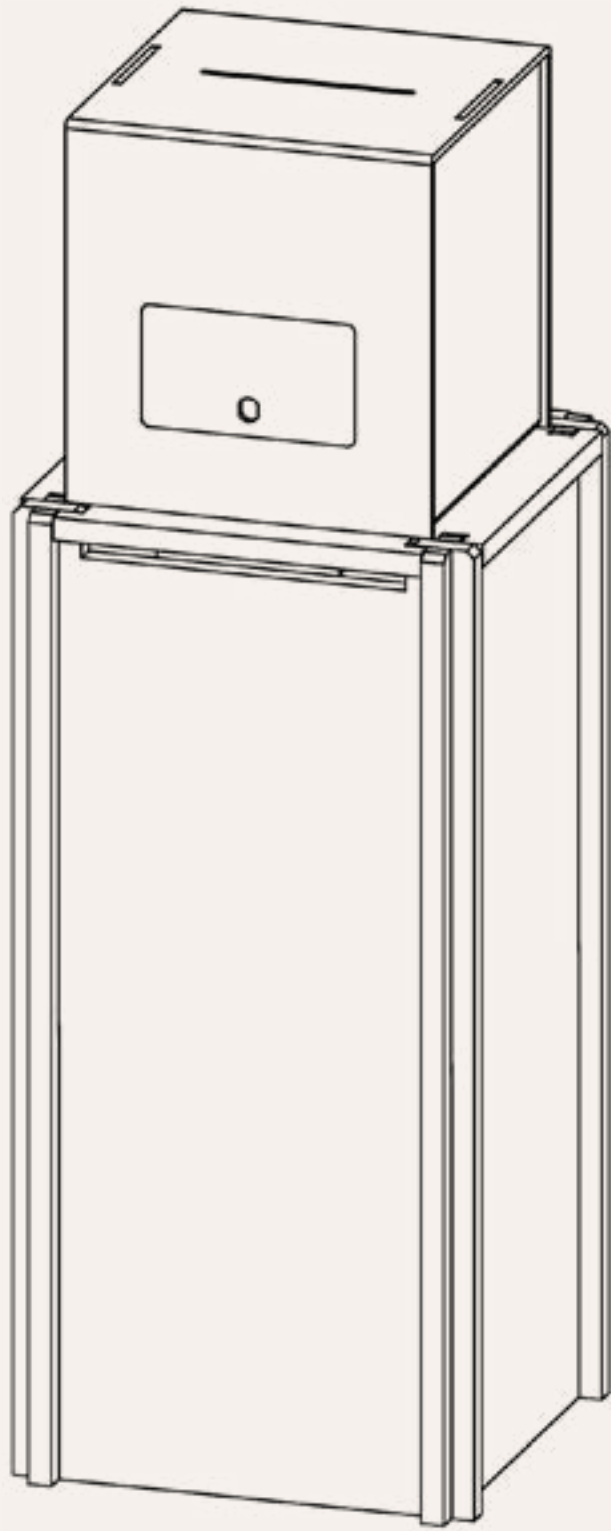


FLOURISH COLLECTION



SKU: DBSDB1

FLOOR-STANDING BALLOT BOX
USER GUIDE

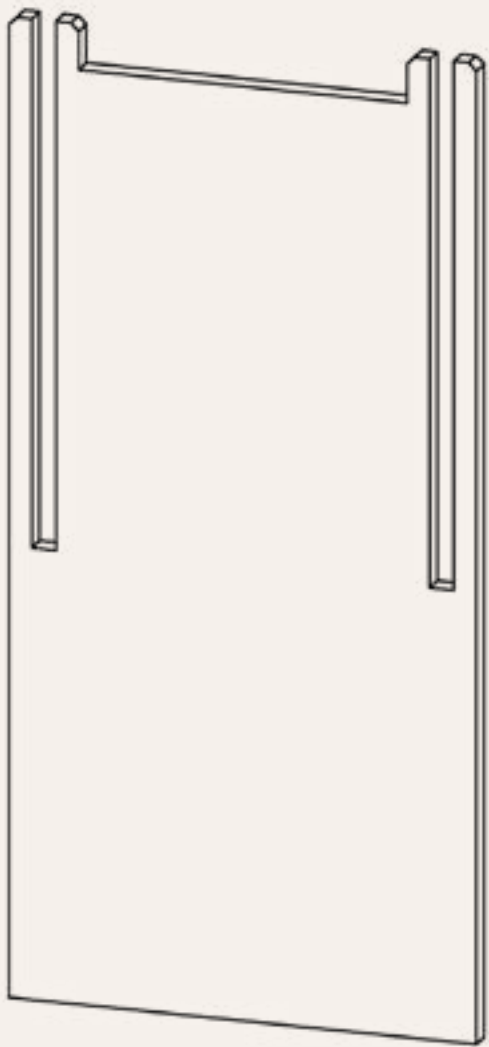
DANDELION

RESPONSIBLY CREATING BETTER PRODUCTS FOR A BETTER WORLD

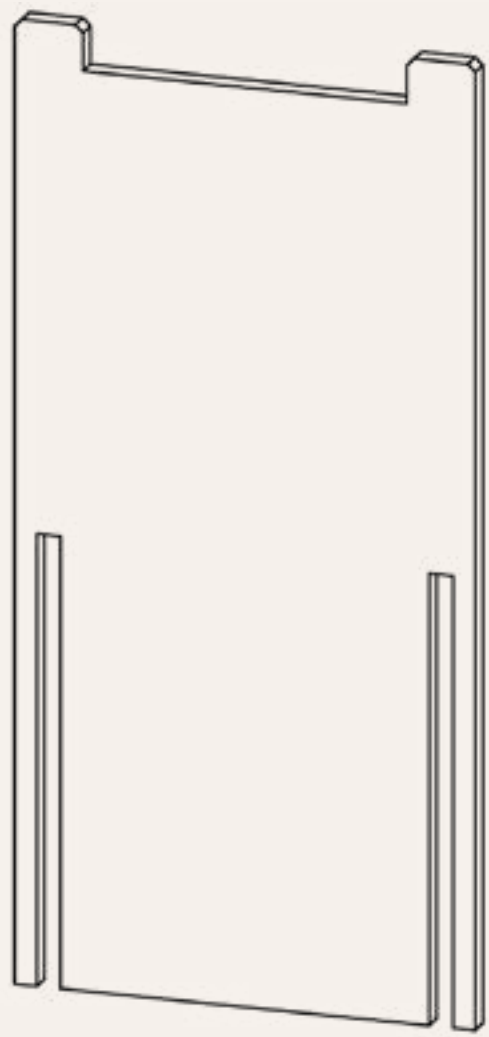


Table of Contents

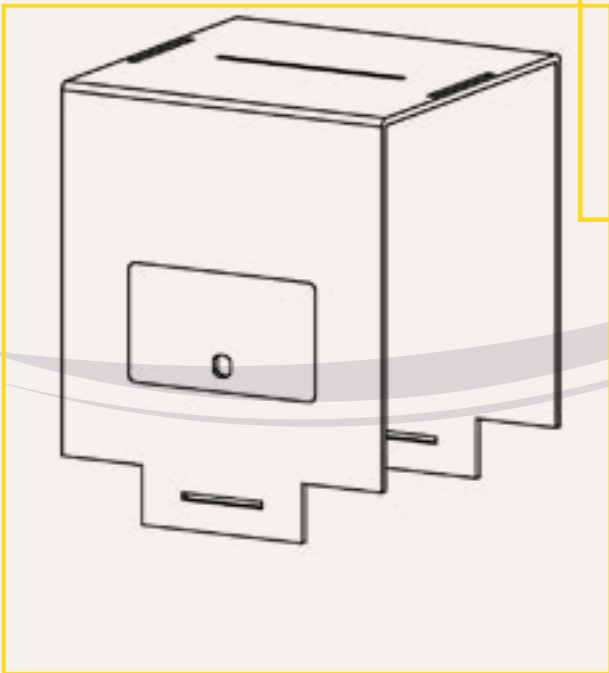
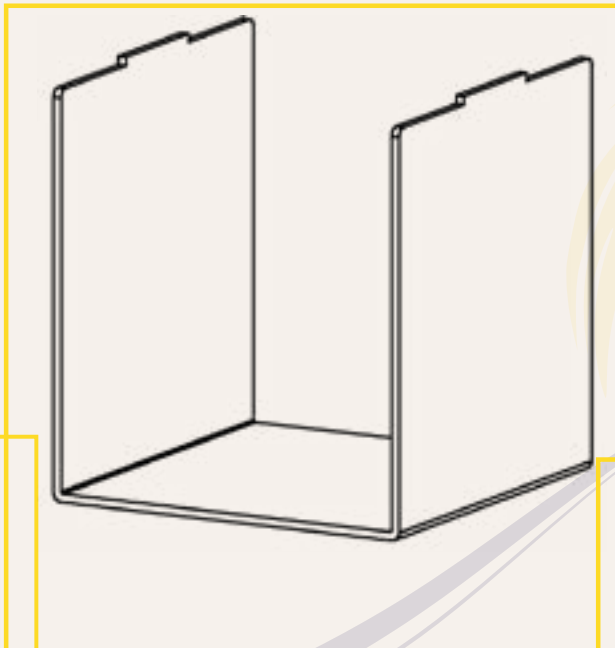
USER GUIDE



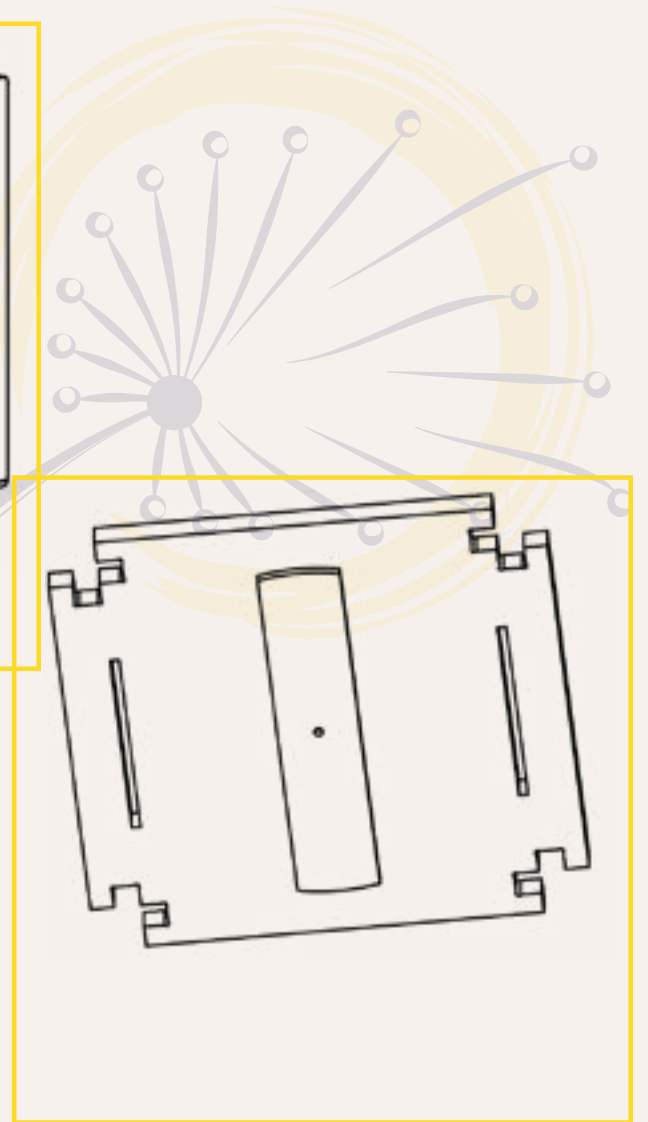
A. Top-Groove Base x2



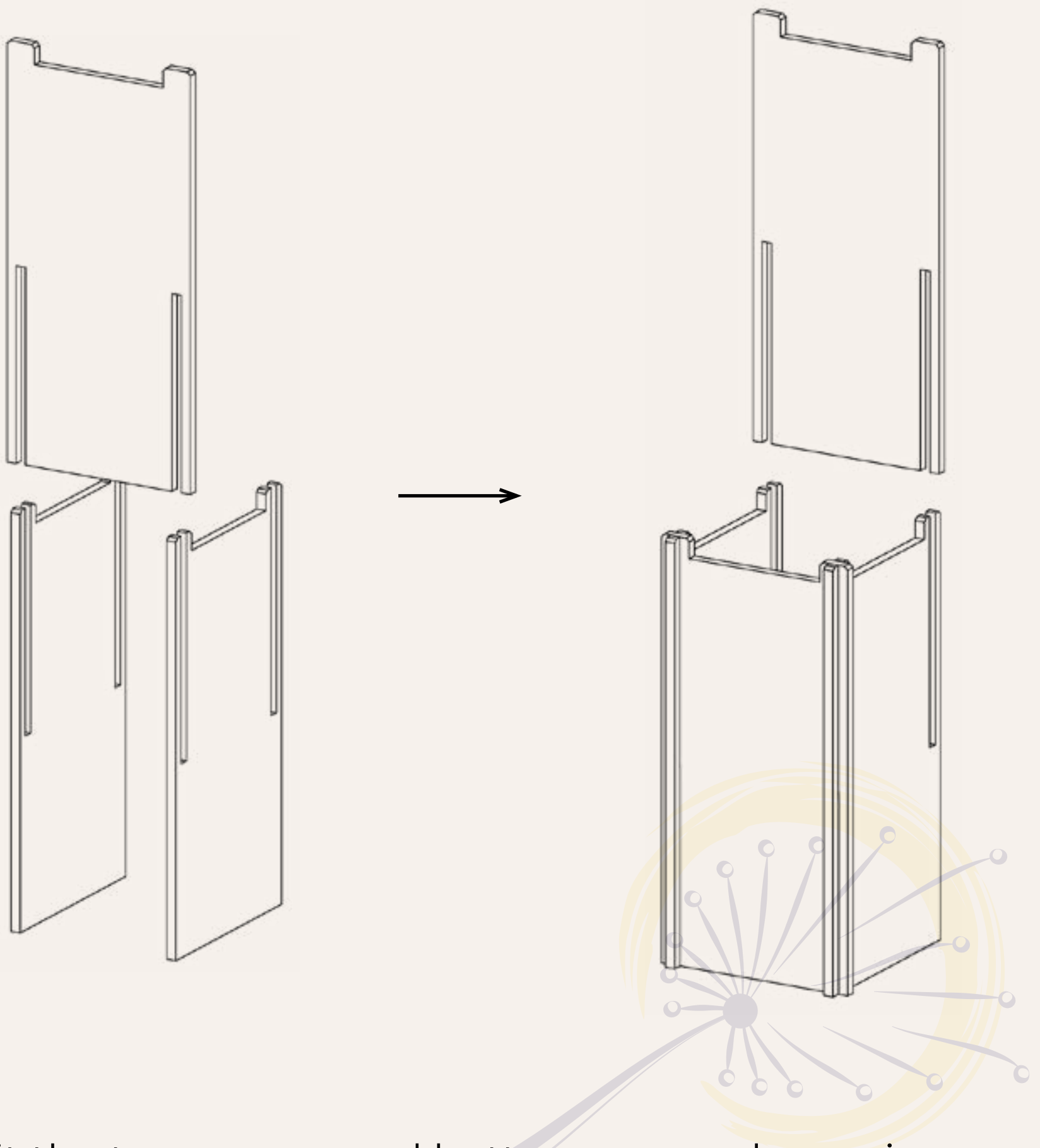
B. Bottom-Groove Base x2



C. Box Components x3

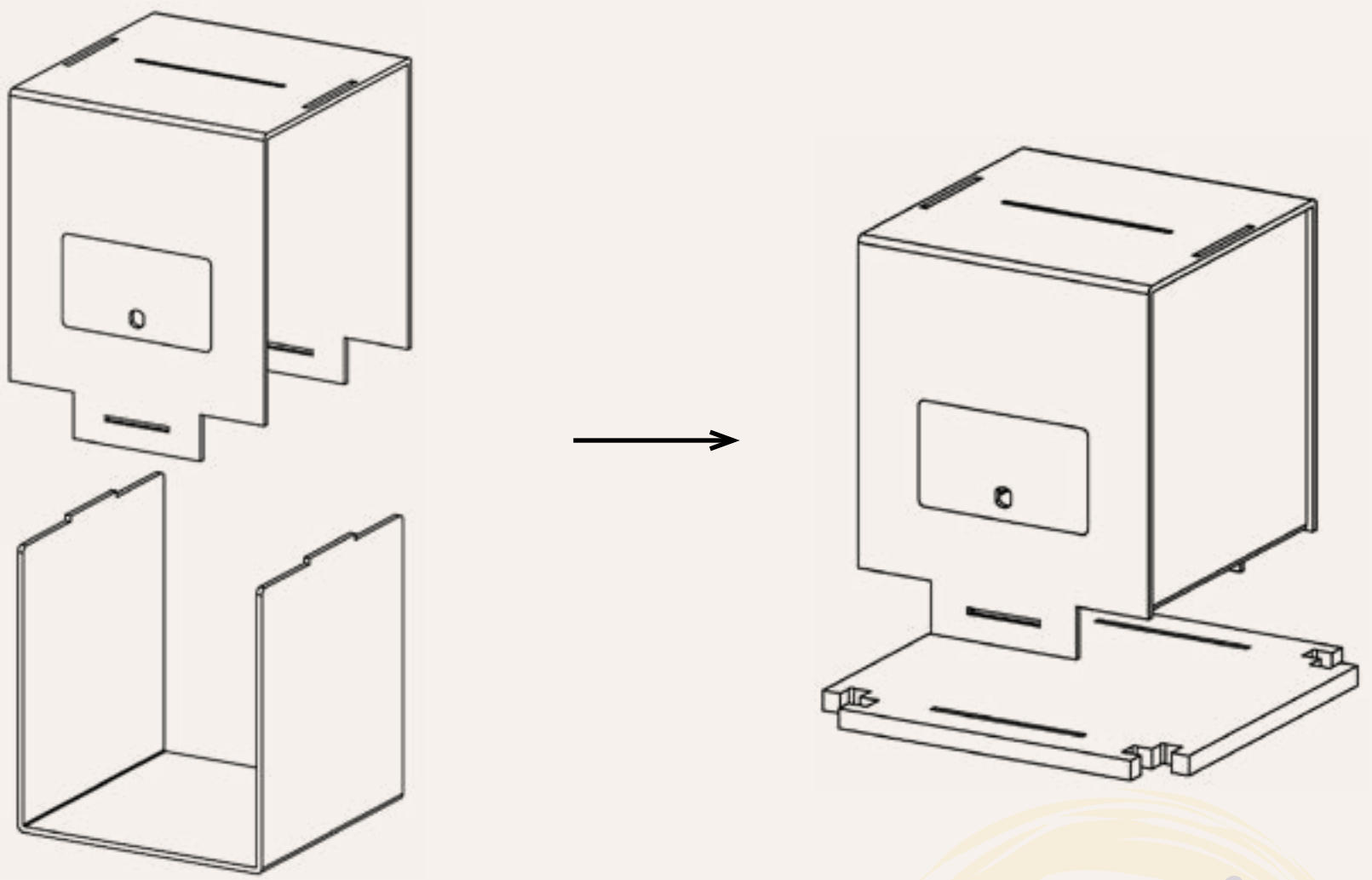


PARTS DIAGRAM



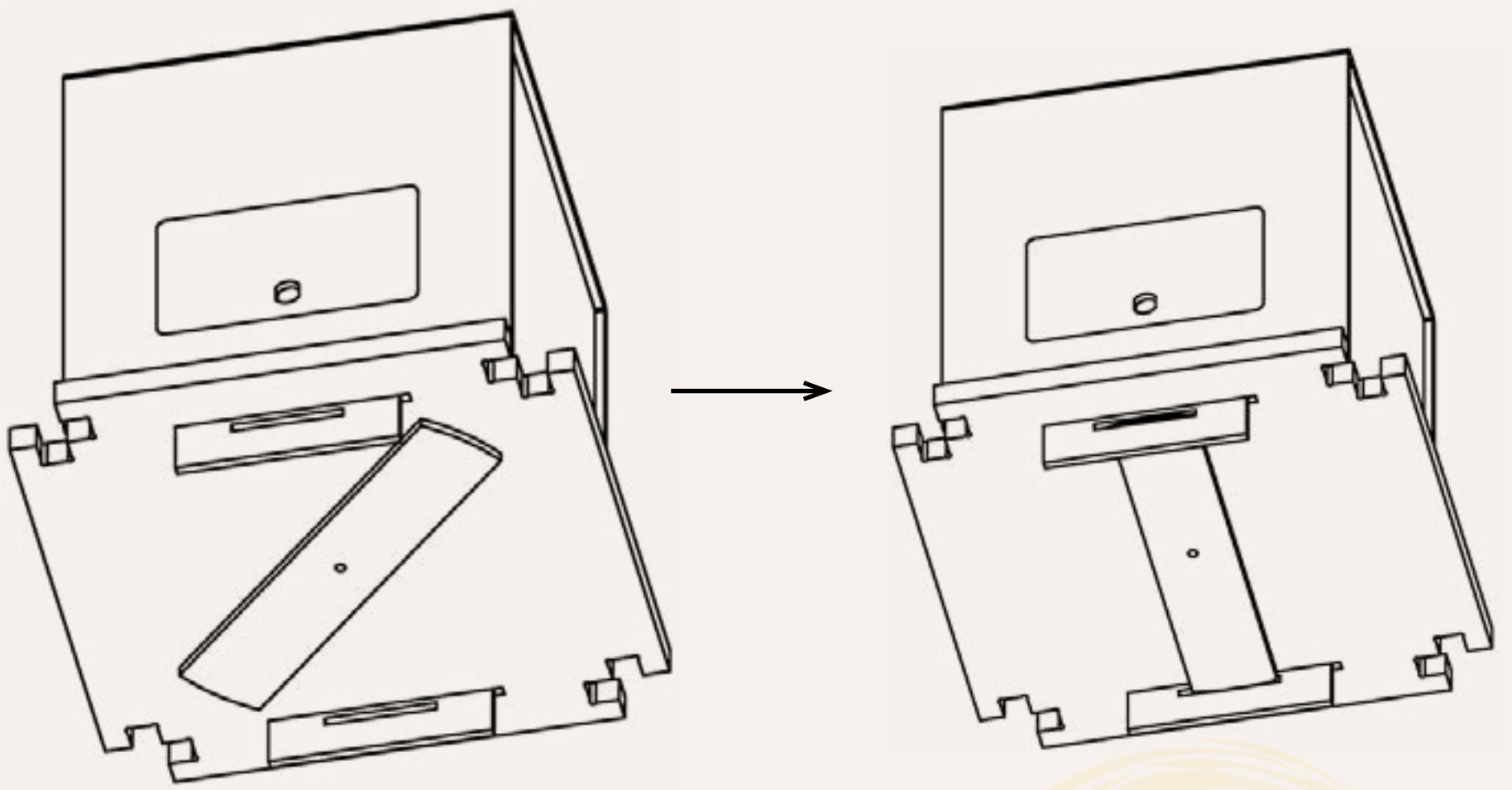
1. Fit the top-groove and bottom-groove base pieces together, sliding grooves together until secure.
2. Repeat on opposite side, as shown.

ASSEMBLY INSTRUCTIONS



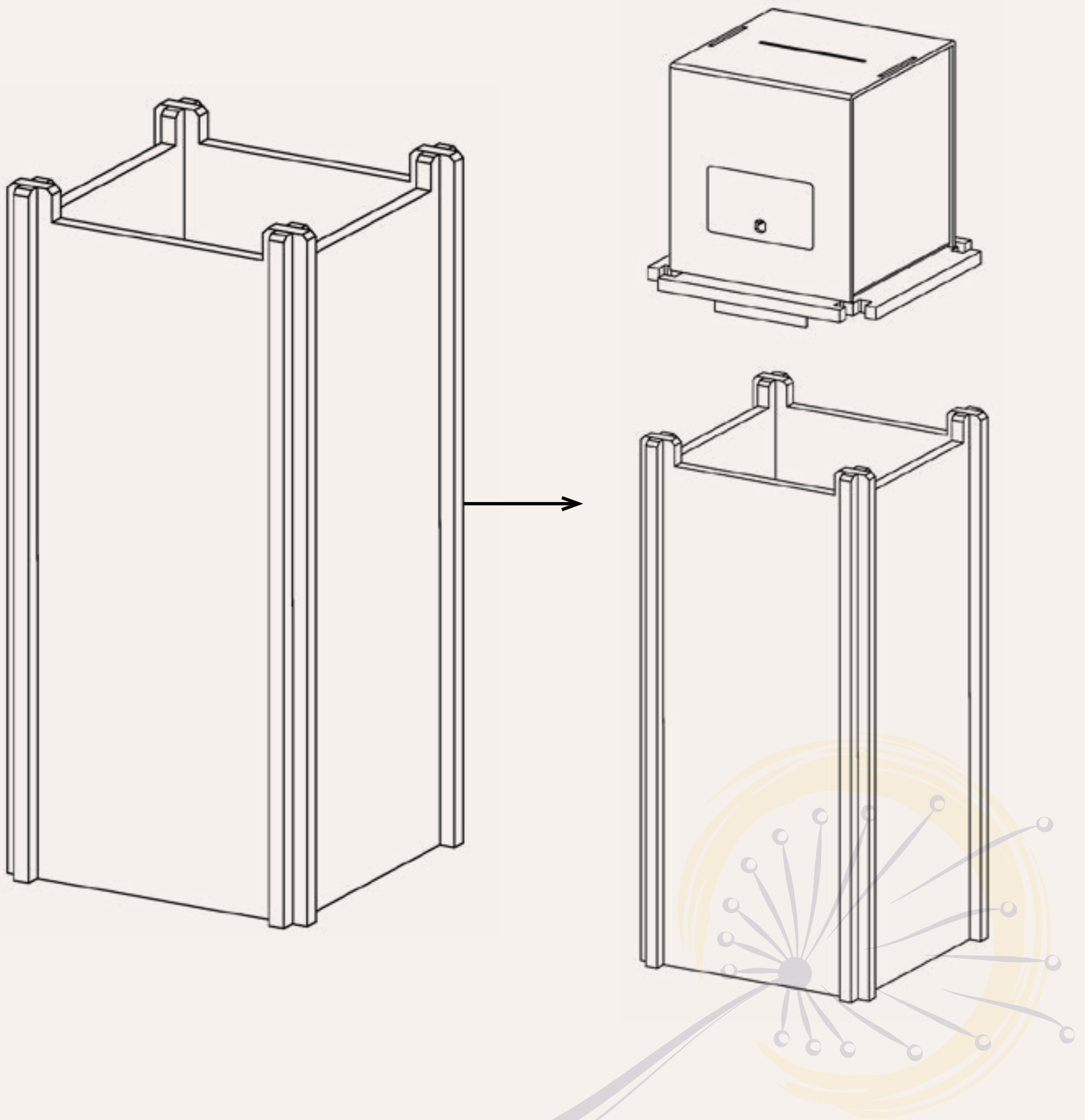
3. Fit top and bottom pieces of the box together.
4. Slot the assembled box onto the base of the box by pressing notches into the slots on the base, as shown.

ASSEMBLY INSTRUCTIONS



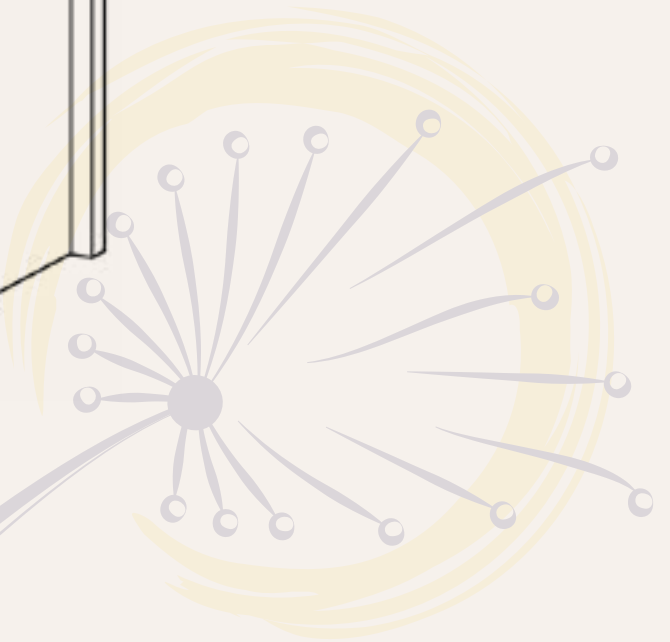
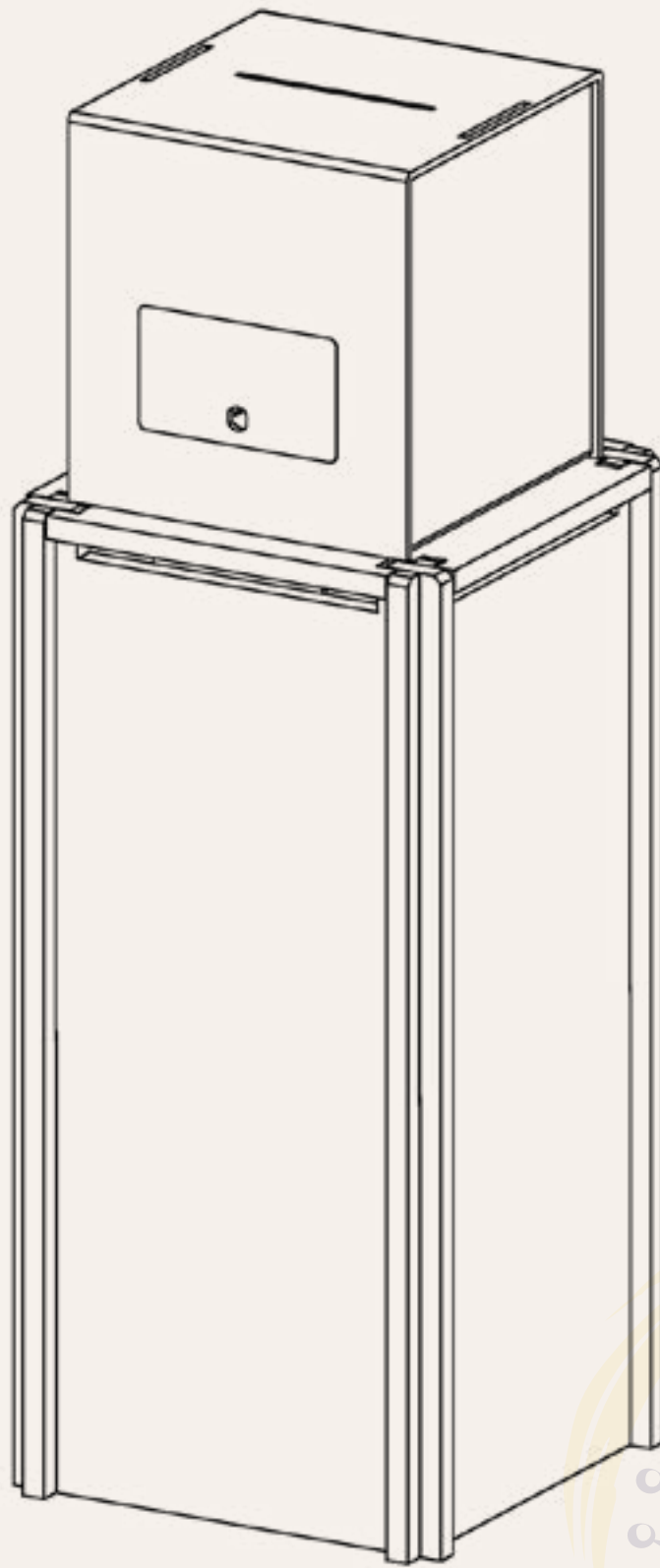
5. Flip the locking bar on the bottom of the base to the upright position, as shown, to lock the box together. This will keep the entire box portion of the unit in place.

ASSEMBLY INSTRUCTIONS



6. Fit box onto top of the assembled base. Corners of the box will fit snugly over the crosses of the base pieces.

ASSEMBLY INSTRUCTIONS



4. The assembly is complete.

ASSEMBLY INSTRUCTIONS

THANK YOU FOR SPREADING
THE SEEDS OF SUSTAINABILITY
AND HELPING TO PROTECT
OUR PLANET.



HAVE A QUESTION? GET IN TOUCH WITH
OUR DANDELION REPRESENTATIVES AT:
888-257-6639

CONTACT US